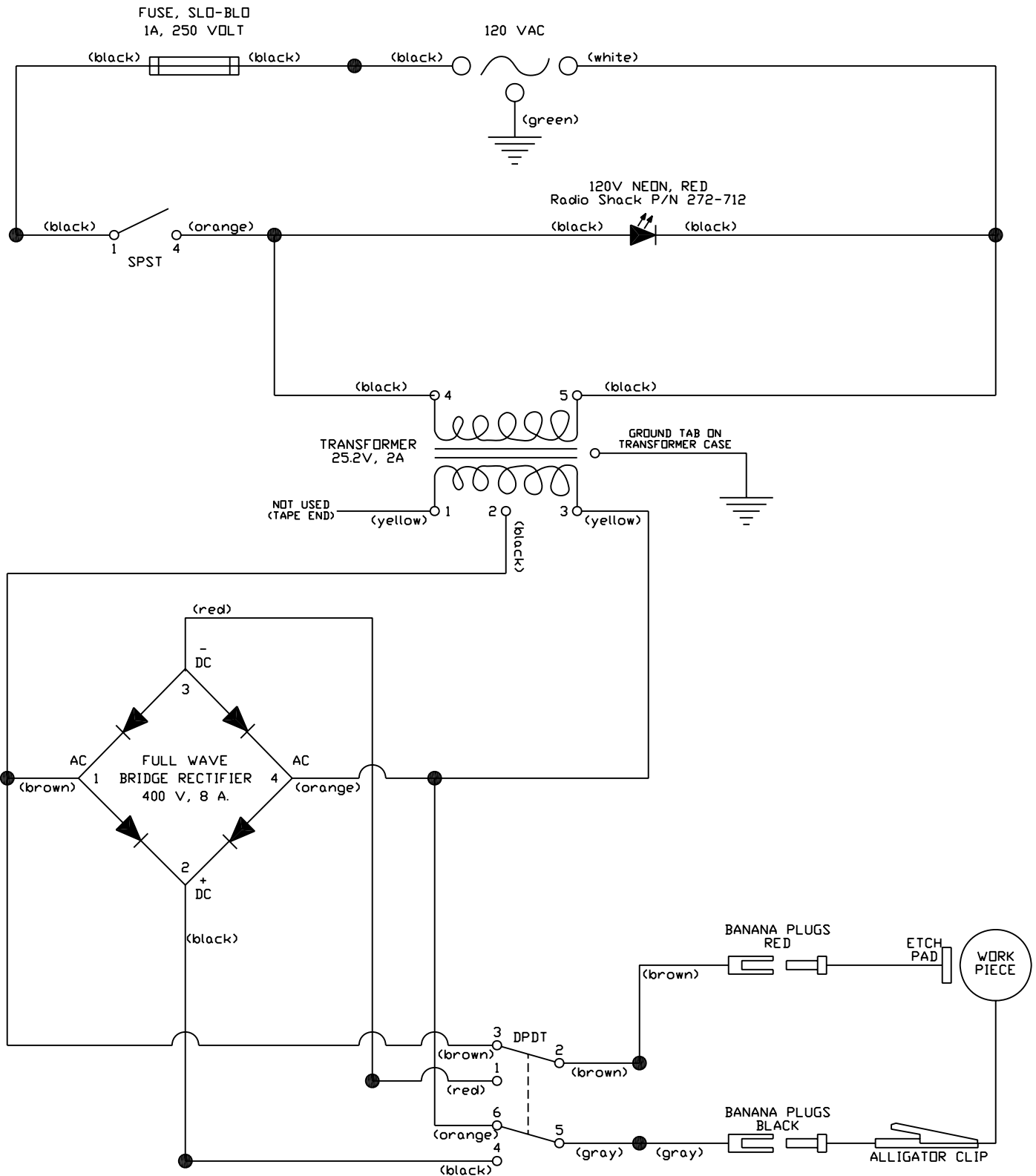


# ELECTRO-ETCHING UNIT WIRING SCHEMATIC

12 Volt Output  
(achieved by using transformer center tap)



Note: Switch un-used transformer lead with black transformer tap to create 24V output.

Revised 12/28/2007

mlogiudice.com